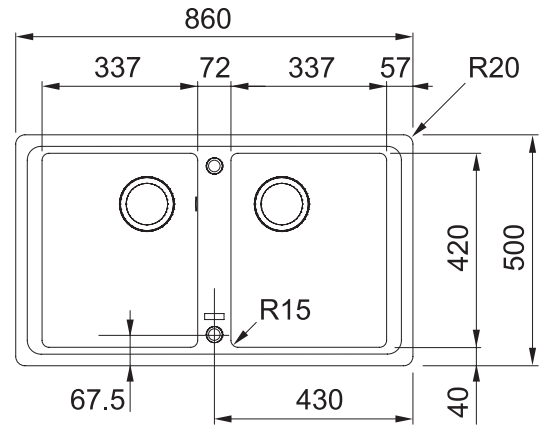


BASIS

BFG6200N



NOTE: May require purchase of an additional waste kit.



PRODUCT INFORMATION

Installation	Topmount
Dimensions	860 x 500mm
Cabinet Base	900mm
Bowl Size	337 x 420 x 190mm/27L (x2)
Bowl Radius	15mm
Cut-Out Size	840 x 480mm
Cut-Out Template	No
Waste Outlet	Semi Integrated Waste
Overflow	Yes
Tap Holes	ø35mm (1 - Drilled)
Remote Waste	No
Finish	Fragranite
Warranty	50 Years

NOTE: Cut-out dimensions are a guide only, please use the actual sink as your template.

FEATURES & BENEFITS



Food Preparation Centre



Fragranite



Hidden Overflow

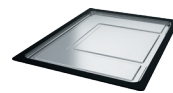


Sanitized® Surface

ALL-IN ACCESSORIES (AVAILABLE)

PACK 1	    
PACK 2	All Accessories Included In Pack 1  
PACK 3	All Accessories Included In Pack 2   

ADDITIONAL ACCESSORIES  Included Accessory  Available Accessory



DT360
Extension Drainer



RM44
Rollamat

BARE SINK OPTION AND SOME SINK & TAP PACKAGES DO NOT INCLUDE ACCESSORIES. PLEASE CHAT TO YOUR SALES CONSULTANT FOR FURTHER INFORMATION.

LAST UPDATED: 17 JUNE 2024

FRANKE