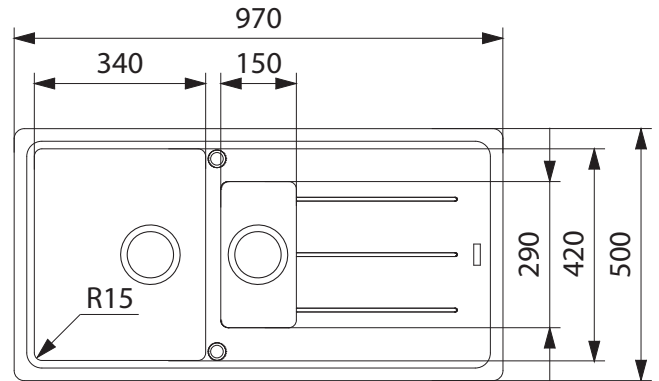


BASIS

BFG651ONRHD



NOTE: May require purchase of an additional waste kit.

PRODUCT INFORMATION

| | |
|-------------------------|--|
| Installation | Topmount |
| Dimensions | 970 x 500mm |
| Cabinet Base | 600mm |
| Bowl Size | 340 x 420 x 190mm/27L 150 x 290 x 90mm/4L |
| Bowl Radius | 15mm |
| Cut-Out Size | 950 x 480mm |
| Cut-Out Template | No |
| Waste Outlet | Semi Integrated Waste |
| Overflow | No |
| Tap Holes | ø35mm (1 - Drilled) |
| Remote Waste | No |
| Finish | Fragranite |
| Warranty | 50 Years |

NOTE: Cut-out dimensions are a guide only, please use the actual sink as your template.

ALL-IN ACCESSORIES (AVAILABLE)

| | | | | | |
|---------------|------------------------------------|----------------|---------------------|-------------------|------------|
| PACK 1 | | | | | |
| | Telescopic Bridge | Chopping Board | Small Strainer Bowl | Small Storage Box | Bamboo Lid |
| PACK 2 | All Accessories Included In Pack 1 | | | | |
| | | | Silicon Drainer Mat | | |
| PACK 3 | All Accessories Included In Pack 2 | | | | |
| | | | Large Strainer Bowl | Storage Container | |

ADDITIONAL ACCESSORIES ——— Included Accessory
----- Available Accessory



DT360
Extension Drainer



RM44
Rollamat

FEATURES & BENEFITS



Food Preparation Centre



Fragranite



Hidden Overflow



Sanitized® Surface

BARE SINK OPTION AND SOME SINK & TAP PACKAGES DO NOT INCLUDE ACCESSORIES. PLEASE CHAT TO YOUR SALES CONSULTANT FOR FURTHER INFORMATION.

LAST UPDATED: 17 JUNE 2024

