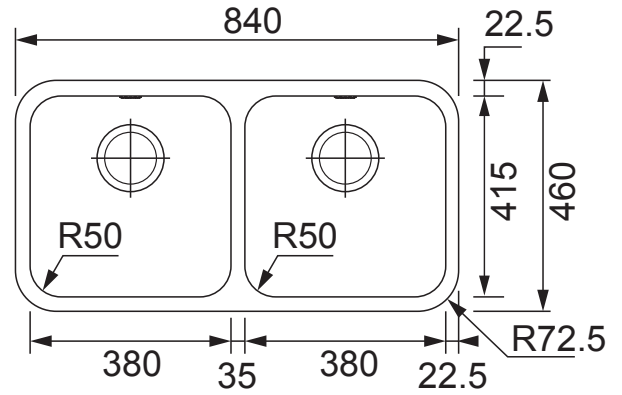


# BELL

BCX220-38/38



## PRODUCT INFORMATION

<b>Installation</b>	Topmount/Undermount
<b>Dimensions</b>	840 x 460mm
<b>Cabinet Base</b>	900mm
<b>Bowl Size</b>	380 x 415 x 180mm/27L (x2)
<b>Bowl Radius</b>	50mm
<b>Cut-Out Size</b>	Template
<b>Cut-Out Template</b>	Yes
<b>Waste Outlet</b>	Semi Integrated Waste
<b>Overflow</b>	Yes
<b>Tap Holes</b>	No
<b>Remote Waste</b>	No
<b>Finish</b>	Stainless Steel
<b>Warranty</b>	50 Years

**NOTE:** Cut-out dimensions are a guide only, please use the actual sink as your template.

## FEATURES & BENEFITS



Food Preparation Centre



18/10 Stainless Steel



Sound Deadening Pads



Fast Fix Installation

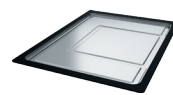


Hidden Overflow

## ALL-IN ACCESSORIES (AVAILABLE)

<b>PACK 1</b>	<p>Telescopic Bridge Chopping Board Small Strainer Bowl Small Storage Box Bamboo Lid</p>
<b>PACK 2</b>	<p>All Accessories Included In Pack 1 + Silicon Drainer Mat</p>
<b>PACK 3</b>	<p>All Accessories Included In Pack 2 + Large Strainer Bowl Storage Container</p>

**ADDITIONAL ACCESSORIES** ——— Included Accessory  
 - - - - - Available Accessory



**DT360**  
Extension Drainer



**DB448**  
Drainer Basket

BARE SINK OPTION AND SOME SINK & TAP PACKAGES DO NOT INCLUDE ACCESSORIES. PLEASE CHAT TO YOUR SALES CONSULTANT FOR FURTHER INFORMATION.

LAST UPDATED: 07 MARCH 2023

