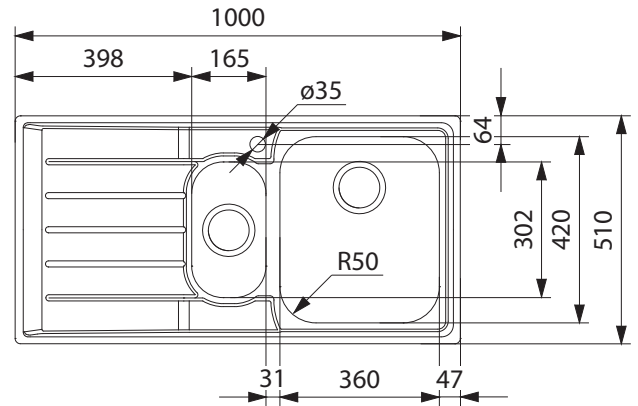


# NEPTUNE

NEX651LHD



## PRODUCT INFORMATION

<b>Installation</b>	Topmount
<b>Dimensions</b>	1000 x 510mm
<b>Cabinet Base</b>	600mm
<b>Bowl Size</b>	360 x 420 x 190mm / 28L 165 x 302 x 130mm / 6L
<b>Bowl Radius</b>	50mm
<b>Cut-Out Size</b>	984 x 494mm, cr=20
<b>Cut-Out Template</b>	No
<b>Waste Outlet</b>	Semi Integrated Waste
<b>Overflow</b>	No
<b>Tap Holes</b>	ø35mm
<b>Remote Waste</b>	No
<b>Finish</b>	Stainless Steel
<b>Warranty</b>	50 Years

**NOTE:** Cut-out dimensions are a guide only, please use the actual sink as your template.

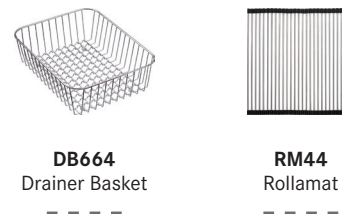
## FEATURES & BENEFITS



## ALL-IN ACCESSORIES (AVAILABLE)



## ADDITIONAL ACCESSORIES



BARE SINK OPTION AND SOME SINK & TAP PACKAGES DO NOT INCLUDE ACCESSORIES. PLEASE CHAT TO YOUR SALES CONSULTANT FOR FURTHER INFORMATION.

LAST UPDATED: 01 JUNE 2022

