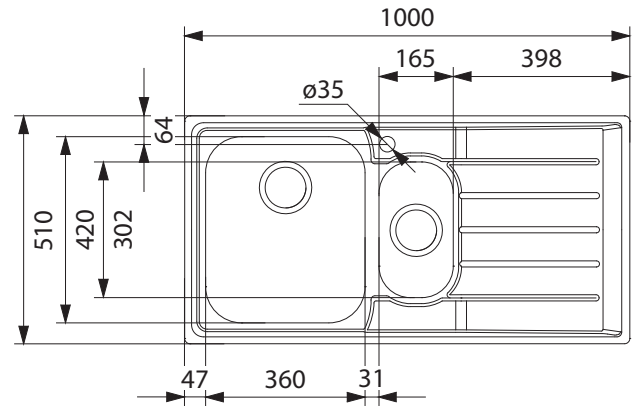


NEPTUNE

NEX651RHD



PRODUCT INFORMATION

Installation	Topmount
Dimensions	1000 x 510mm
Cabinet Base	600mm
Bowl Size	360 x 420 x 190mm / 28L 165 x 302 x 130mm / 6L
Bowl Radius	50mm
Cut-Out Size	984 x 494mm, cr=20
Cut-Out Template	No
Waste Outlet	Semi Integrated Waste
Overflow	No
Tap Holes	ø35mm
Remote Waste	No
Finish	Stainless Steel
Warranty	50 Years

NOTE: Cut-out dimensions are a guide only, please use the actual sink as your template.

FEATURES & BENEFITS



ALL-IN ACCESSORIES (AVAILABLE)



ADDITIONAL ACCESSORIES



BARE SINK OPTION AND SOME SINK & TAP PACKAGES DO NOT INCLUDE ACCESSORIES. PLEASE CHAT TO YOUR SALES CONSULTANT FOR FURTHER INFORMATION.

LAST UPDATED: 01 JUNE 2022

FRANKE