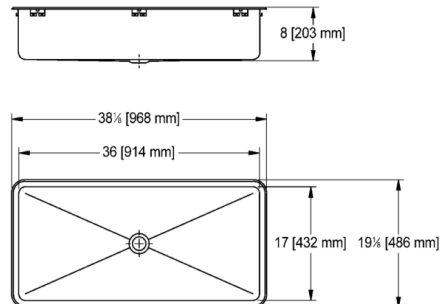


# ART36-316-1 Art room sink, single bowl T316

MODEL RANGE: COMMERCIAL SINKS | ART36-316-1

Type 316 stainless sinks | Art room sinks



Single compartment self rimming topmount sink without faucet ledge. 18 gauge (1.2 mm), type 316 (EN 1.4401 17/12/2) stainless steel. Exposed surfaces are #4 satin finished. Undercoated to reduce condensation and resonance. Includes waste fitting, factory applied rim seal, and factory installed EZ TORQUE™ fasteners. Certified to ASME A112.19.3-2008 / CSA B45.4-08. Centre waste location, 3 1/2" (89 mm) type 316 (EN 1.4401 17/12/2) stainless steel crumb cup strainer with 1 1/2" (DN 38) type 316 (EN 1.4401 17/12/2) stainless steel tailpiece.

19 1/8 x 38 1/8" Overall. 17 x 36 x 8" Bowl. (FB x LR x D).

486 x 968 mm Overall. 432 x 914 x 203 mm Bowl. (FB x LR x D).

## Technical data

Bowl depth	8 inch
Bowl front to back	17 "
Bowl left to right	36 "
Overall front to back	19 1/8 "
Overall left to right	38 1/8 "
Material	Stainless steel
Material code	1.4404
Tailor made	No
Tap ledge	No
Waste hole position	Center
Bowl finish	Satin finish
Number of bowls	1.00000
Overflow	No
Number of tap holes	0.00000
Type of waste kit	3 1/2" crump
Type of basin	Single compartment

## PROJECT INFORMATION

Item Location  
 Project Number  
 Quote Number  
 Notes

## ENGINEER'S APPROVAL