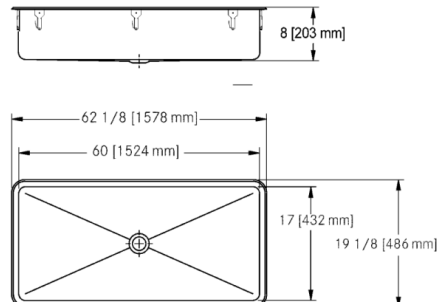


# ART60-316-3C Art room sink, single bowl T316

MODEL RANGE: COMMERCIAL SINKS | ART60-316-3C

Type 316 stainless sinks | Art room sinks



Single compartment self rimming topmount sink without faucet ledge. 18 gauge (1.2 mm), type 316 (EN1.4401 17/12/2) stainless steel. Exposed surfaces are #4 satin finished. Undercoated to reduce condensation and resonance. Includes waste fitting, factory applied rim seal, and factory installed EZ TORQUE™ fasteners. Certified to ASME A112.19.3-2008 / CSA B45.4-08. Centre waste location, 1 1/2" (38 mm) type 316 (EN1.4401 17/12/2) stainless steel duplex waste assembly with rubber stopper and 1 1/2" (DN38) type 316 (EN1.4401 17/12/2) stainless steel tailpiece.

19 1/8 x 62 1/8" Overall. 17 x 60 x 8" Bowl. (FB x LR x D).  
486 x 1578 mm Overall. 432 x 1524 x 203 mm Bowl. (FB x LR x D).

## Technical data

|                     |                    |
|---------------------|--------------------|
| Bowl height         | 8 inch             |
| Bowl depth          | 17 "               |
| Bowl width          | 60 "               |
| Overall depth       | 19 1/8 "           |
| Overall width       | 62 1/8 "           |
| Material            | Stainless steel    |
| Material code       | 1.4404             |
| Tailor made         | No                 |
| Tap ledge           | No                 |
| Waste hole position | Center             |
| Bowl finish         | Satin finish       |
| Number of bowls     | 1.00000            |
| Overflow            | No                 |
| Number of tap holes | 0.00000            |
| Type of waste kit   | DUPLEX-WASTE       |
| Type of basin       | Single compartment |

## PROJECT INFORMATION

Item Location  
Project Number  
Quote Number  
Notes

## ENGINEER'S APPROVAL